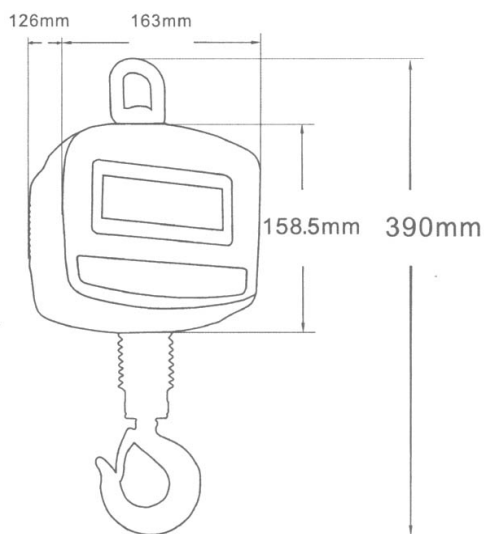




TECHNICAL DATA

External resolution... 1/6,000
 Display.....25mm LCD
 Keyboard..... 6 keys mechanical switch
 Operate temp.....0 ~ +40
 ADC.....sigma delta
 ADC update..... 1/10 second
 Power.....AC adapter (9V/800mA)
 Rechargeable batteries
 (6V/1300mAh)
 Options.....Remote controller Rear
 display

DIMENSIONS (mm)



FEATURES

Easy to use - front panel configuration
 25mm LCD display, attached backlight
 Reading lock, units conversion, Tare
 Optional Remote controller Rear display
 Battery provide up to 30 hours of continuous use.

SPECIFICATIONS

Model	DR			
Capacity	60kg x10g	150kg x 20g	300kg x 50g	600kg x 100g
Max. Divisions	6,000d			
Display	25mm LCD display, attached backlight			
Keypad	5 keys			
Power	AC adapter (9V/800mA) rechargeable batteries (6V/1300mAh)			
Gross weight	2.5kg			